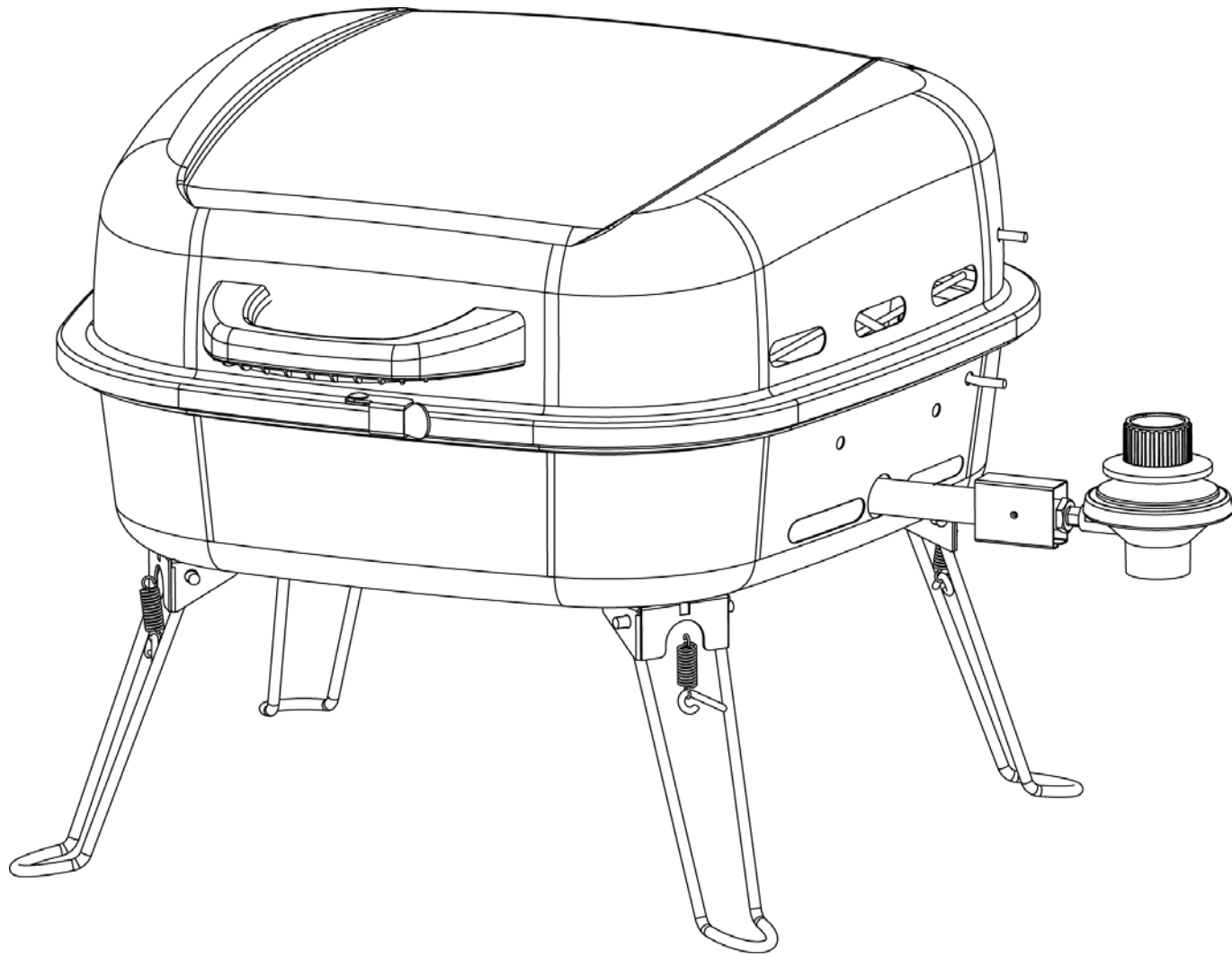




# OWNER'S MANUAL

## Outdoor LP Gas Barbecue Grill

Model No. GBT806T



### WARNING

**FOR YOUR SAFETY:**

**For Outdoor Use Only**  
(outside any enclosure)

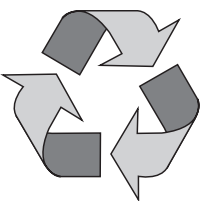


### WARNING

**FOR YOUR SAFETY:**

- 1. Improper installation, adjustment, alteration, service or maintenance can cause injury or property damage.**
- 2. Read the installation, operation, and maintenance instructions thoroughly before installing or servicing this equipment.**
- 3. Failure to follow these instructions could result in fire or explosion, which could cause property damage, personal injury, or death.**

Save these instructions for future reference. If you are assembling this unit for someone else, give this manual to him or her to read and save for future reference.



Made from 70% Bagasse  
(Environmentally Friendly Sugar  
Cane Pulp By-product)



### Table of Contents

Important Safeguards . . . . .	Page 2
Exploded View & Hardware . . . . .	3
Assembly Instructions . . . . .	4
Operating Instructions . . . . .	6
Checking for Leaks . . . . .	6
Lighting . . . . .	6
Initial Use . . . . .	6
Turning Off . . . . .	7
Cooking . . . . .	7
Tips . . . . .	7
Cleaning and Care . . . . .	7
Product Registration . . . . .	7
Limited Warranty . . . . .	7
Troubleshooting . . . . .	8

The use and installation of this product must conform to local codes. In absence of local codes, use the *National Fuel Gas Code, ANSI Z223.1/NFPA 54, CAN/CGA-B149.1, Natural Gas and Propane Installation Code.*

California Proposition 65: Chemicals known to the State of California to cause cancer, birth defects, or other reproductive harm are created by the combustion of propane.

Manufactured in China for:  
Blue Rhino Global Sourcing, Inc.  
Winston-Salem, NC USA  
1.800.762.1142, www.bluerhino.com

© 2007 Blue Rhino Global Sourcing, Inc.. All Rights Reserved  
Blue Rhino® is a Registered Trademark of Ferrellgas L.P.. All Rights Reserved.



## DANGER



If you smell gas -

1. Shut off gas to appliance.
2. Extinguish any open flame.
3. Open lid.
4. If odor continues, keep away from the appliance and immediately call your gas supplier or your fire department.

## WARNING

### FOR YOUR SAFETY



1. Do not store spare LP cylinder within 10 feet (3.05 m) of this appliance.
2. Do not store or use gasoline or other liquids with flammable vapors within 25 feet (7.62 m) of this or any other appliance.
3. An LP cylinder not connected for use shall not be stored in the vicinity of this or any other appliance.

**▲ DANGER:** Failure to follow the dangers, warning and cautions in this manual may result in serious bodily injury or death, or in a fire or an explosion causing damage to property.

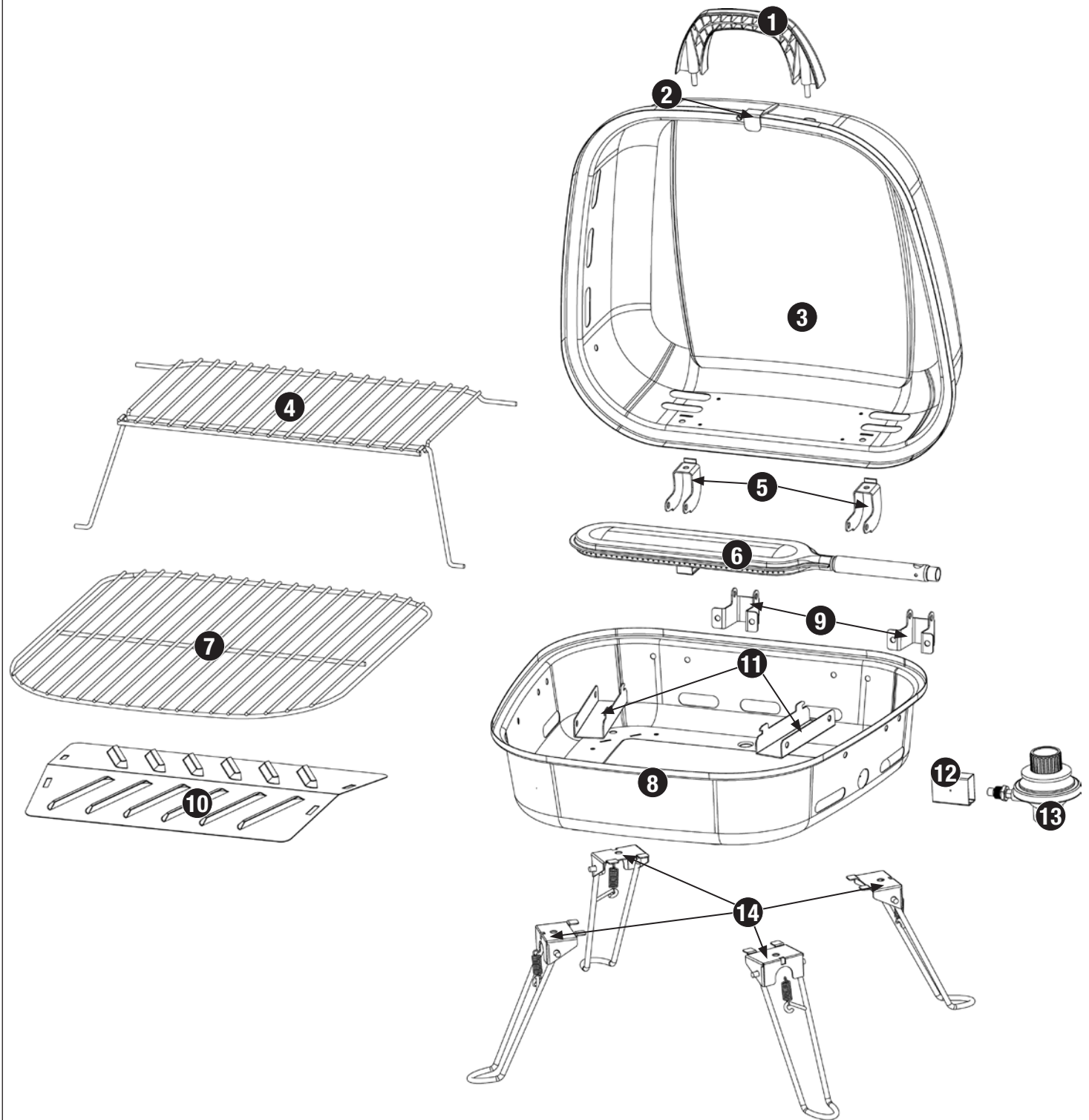
### ▲ WARNING:

- ▲ This grill is for outdoor use only, and shall not be used in a building, garage, or any other enclosed area.
- ▲ This grill is NOT for commercial use.
- ▲ This is not a tabletop grill. Therefore, do not operate this grill on any type of tabletop surface
- ▲ This grill is for use with liquid propane (LP) gas only. The conversion to or attempted use of natural gas in this LP gas grill is dangerous and will void your warranty.
- LP gas Characteristics:
  - a. LP gas is flammable and hazardous if handled improperly. Become aware of the characteristics before using any LP gas product.
  - b. LP gas is explosive under pressure, heavier than air, and settles and pools in low areas.
  - c. LP gas in its natural state has no odor. For your safety, an odorant is added that smells like rotten cabbage.
  - d. Contact with LP gas can cause freeze burns to skin.
- ▲ LP gas tank needed to operate. Only tanks marked "propane" may be used.
- ▲ The LP gas supply tank must be constructed and marked in accordance with the *Specifications for LP gas Cylinders of the U.S. Department of Transportation (DOT) or the National Standard of Canada, CAN/CSA-B339, Cylinders, Spheres and Tubes for the Transportation of Dangerous Goods; and Commission.*
- ▲ LP gas tank must be arranged for vapor withdrawal.
- ▲ Dented or rusted LP gas tanks may be hazardous and should be checked by your LP gas supplier prior to use.
- ▲ The LP gas tank should not be dropped or handled roughly.
- ▲ LP gas tanks must be stored outdoors out of the reach of children and must not be stored in a building, garage, or any other enclosed area. Your tank must never be stored where temperatures can reach over 125°F.
- ▲ Never attempt to attach this grill to the self-contained LP gas system of a camper trailer, motor home, or house.
- ▲ The use of alcohol, or prescription or non-prescription drugs may impair the consumer's ability to properly assemble or safely operate the appliance.
- ▲ Never use charcoal, lighter fluid, lava rocks, gasoline, kerosene, or alcohol with this product.
- ▲ Your grill has been checked at all factory connections for leaks. Recheck all connections, as movement in shipping can loosen connections.
- ▲ Check for leaks even if your unit was assembled for you by someone else.
- ▲ Do not operate if gas leak is present. Gas leaks may cause a fire or explosion.
- ▲ You must follow all leak-checking procedures before operating. To prevent fire or explosion hazard when testing for a leak:
  - a. Always perform leak test before lighting the grill and each time the tank is connected for use.
  - b. No smoking. Do not use or permit sources of ignition in the area while conducting a leak test.
  - c. Conduct the leak test outdoors in a well-ventilated area.
  - d. Do not use matches, lighters, or a flame to check for leaks.
  - e. Do not use grill until any and all leaks are corrected.If you are unable to stop a leak, disconnect the LP gas supply. Call our customer care, gas appliance serviceman or your local LP gas supplier.
- ▲ Do not use in an explosive atmosphere. Keep grill area clear and free from combustible materials, gasoline and other flammable vapors and liquids.
- ▲ Keep all combustible items and surfaces at least 21 inches (53 cm) away from the grill at all times. DO NOT use this grill or any gas product under any overhead or near any unprotected combustible constructions.
- ▲ It is essential to keep the grill's valve compartment, burners, and circulating air passages clean. Inspect grill before each use.
- ▲ Do not alter grill in any manner.
- ▲ Do not use the grill unless it is COMPLETELY assembled and all parts are securely fastened and tightened.
- ▲ This grill should be thoroughly cleaned and inspected on a regular basis.
- ▲ Use only the regulator provided. Any replacement regulator shall be specified by the manufacturer.
- ▲ Use only Blue Rhino Global Sourcing, Inc.. factory authorized parts. The use of any part that is not factory authorized can be dangerous. This will also void your warranty.
- ▲ Do not use this appliance without reading "Operating Instructions" in this manual.
- ▲ Do not touch metal parts of grill until it has completely cooled (about 45 min.) to avoid burns, unless you are wearing protective gear (pot holders, gloves, BBQ mittens, etc.).
- ▲ Do not install or use in or on boats or recreational vehicles.
- ▲ When cooking, fire extinguishing materials shall be readily accessible. In the event of an oil grease fire, do not attempt to extinguish with water. Use type BC dry chemical fire extinguisher or smother with dirt, sand or baking soda.
- ▲ Do not use grill in high winds.
- ▲ Never lean over the grill when lighting.
- ▲ Do not leave a lit grill unattended, especially keep children and pets away from grill at all times.
- ▲ Do not attempt to move grill when in use. Allow the grill to cool before moving or storing.
- ▲ Storage of grill indoors is permissible only if the tank is disconnected, removed from the grill and properly stored outdoors.
- ▲ While wearing a protective glove or mit, open grill lid carefully and slowly as heat and steam trapped within grill can severely burn you.
- ▲ Do not attempt to disconnect the gas regulator from the tank or any gas fitting while the grill is in use.
- ▲ Disconnect cylinder when not in use.
- ▲ Always use your grill on a hard, non-combustible level surface. An asphalt or blacktop surface may not be acceptable for this purpose.
- ▲ Do not use directly on wooden decks.
- ▲ Keep all electrical cords away from a hot grill.
- ▲ Do not use grill for indoor cooking or heating. TOXIC fumes can accumulate and cause asphyxiation.
- ▲ After a period of storage and/or nonuse, check for leaks, and burner obstructions.
- ▲ Failure to open lid while igniting the grill's burner, or not waiting 5 minutes to allow the gas to clear if the grill does not light, may result in an explosive flame-up.
- ▲ If grill is not in use, the gas must be turned off at the supply tank.
- ▲ Never operate grill without heat plate installed.
- ▲ Always use a meat thermometer to ensure food is cooked to a safe temperature.
- ▲ Do not store a spare LP gas tank under or near this appliance.
- ▲ Please use protective gloves when assembling this product.
- ▲ Do not force parts together as this can result in personal injury or damage to the product.
- ▲ Never cover entire cooking area with aluminum foil.
- ▲ Deaths, serious injury or damage to property may occur if the above is not followed exactly.

Contact 1.800.762.1142 for assistance. Do not return to place of purchase.

Parts List		
1	Lid Handle	55-08-214
2	Lock	55-08-215
3	Lid	55-08-216
4	Warming Rack	55-08-217
5	Top Hinge (2)	55-08-218
6	Burner	55-08-219
7	Cooking Grid	55-08-220
8	Bottom Bowl	55-08-221
9	Bottom Hinge (2)	55-08-222
10	Heat Shield	55-08-224
11	Heat Plate Support (2)	55-08-225
12	Wind Guard	55-08-226
13	Regulator/Control Valve	55-08-227
14	Leg (4)	55-08-228

### Exploded View

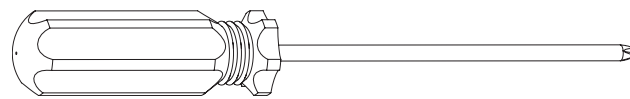


### Hardware

A	Screw	M5x12 Nickel Plated Phillips Truss Head	14 pcs
B	Wing Bolt	M6x15 Nickel Plated	1 pc
C	Wing Nut	M5 Steel	16 pcs
D	Washer	ø6.4 Steel	1 pc
E	Washer	ø6.4 Heat Resistant	2 pcs
F	Lock Washer	ø5.3 Steel	6 pcs
G	Lock Washer	ø6.4 Steel	1 pc
H	Pin	ø5 x 30 Zinc Plated	2 pcs
I	Cotter Pin	ø1.4 x 30 Steel	2 pcs

### Tools Required for Assembly (Included)

#2 Phillips Head Screwdriver



## Assembly Instructions

### 1 DO NOT RETURN PRODUCT TO STORE.

For assistance call **1.800.762.1142** toll free. Please have your owner's manual and serial number available for reference.

For Easiest Assembly:

- To avoid losing any small components or hardware, assemble your product on a hard level surface that does not have cracks or openings.
- Clear an area large enough to layout all components and hardware.
- When applicable, tighten all hardware connections by hand first. Once the step is completed go back and fully tighten all hardware.
- Follow all steps in order to properly assemble your product.

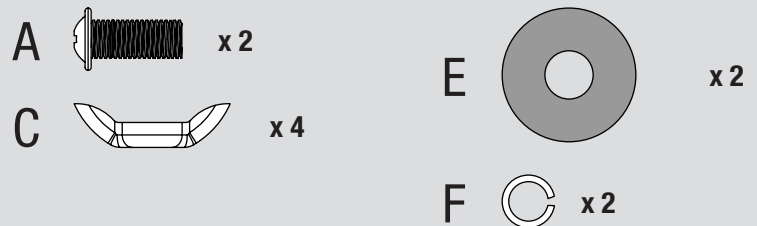
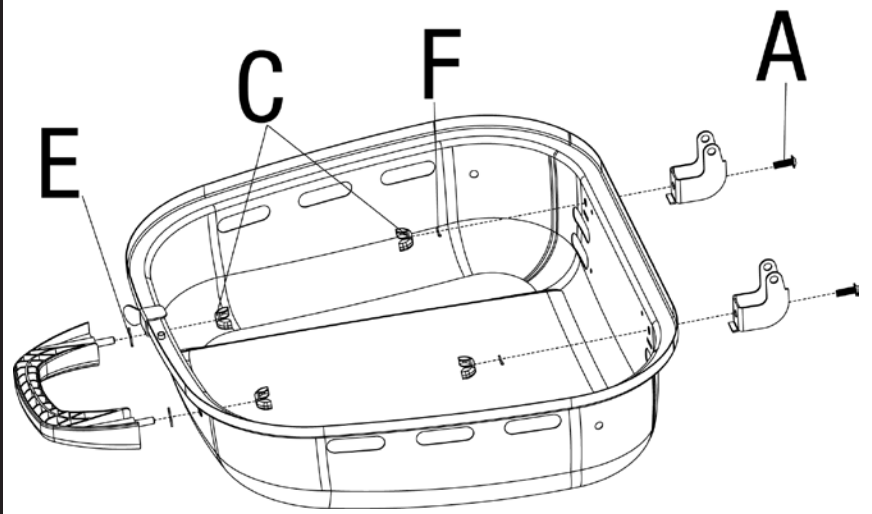
To complete assembly you will need:

- (1) Leak Detection Solution (Instructions on how to make solution are included in "Operating Instructions" section)
- (1) 14.1 oz or (1) 16.4 oz LP gas tank.

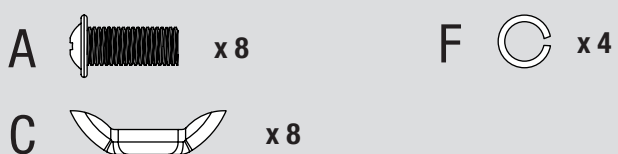
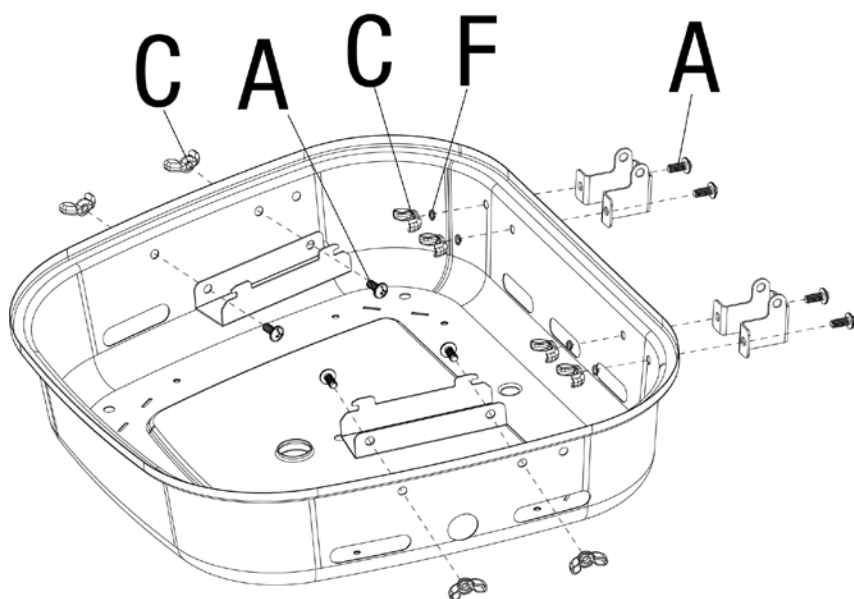
*Note:* You must follow all steps to properly assemble grill.

Typical assembly: approximately 30 minutes.

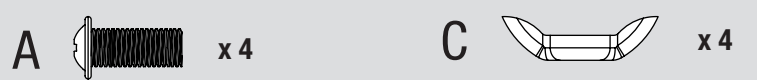
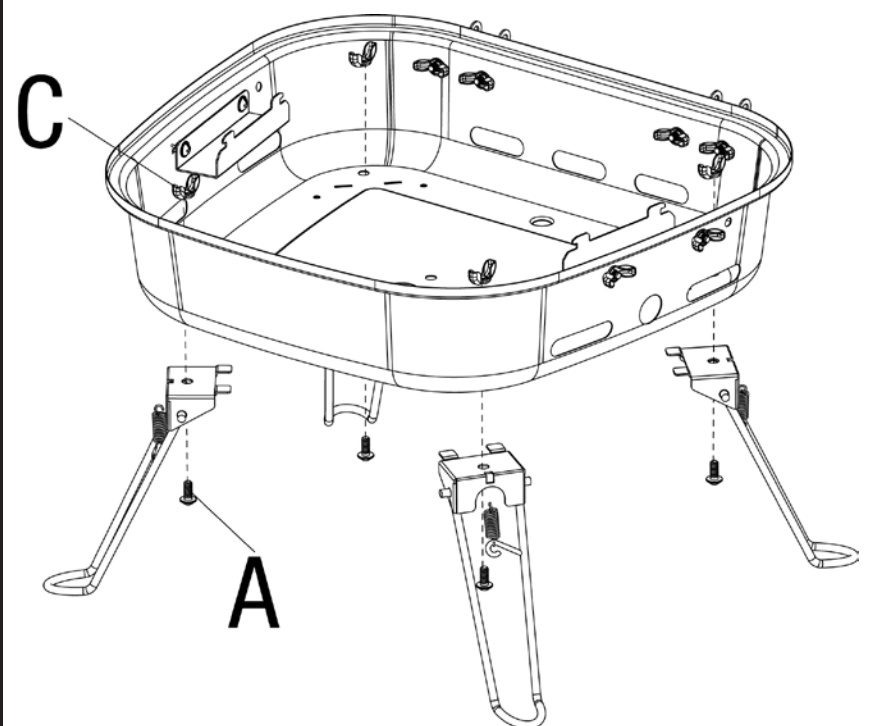
### 2 Attach Lid Handle and Top Hinges



### 3 Attach Heat Plate Supports and Bottom Hinges



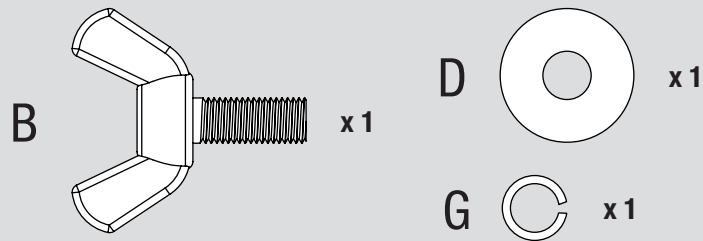
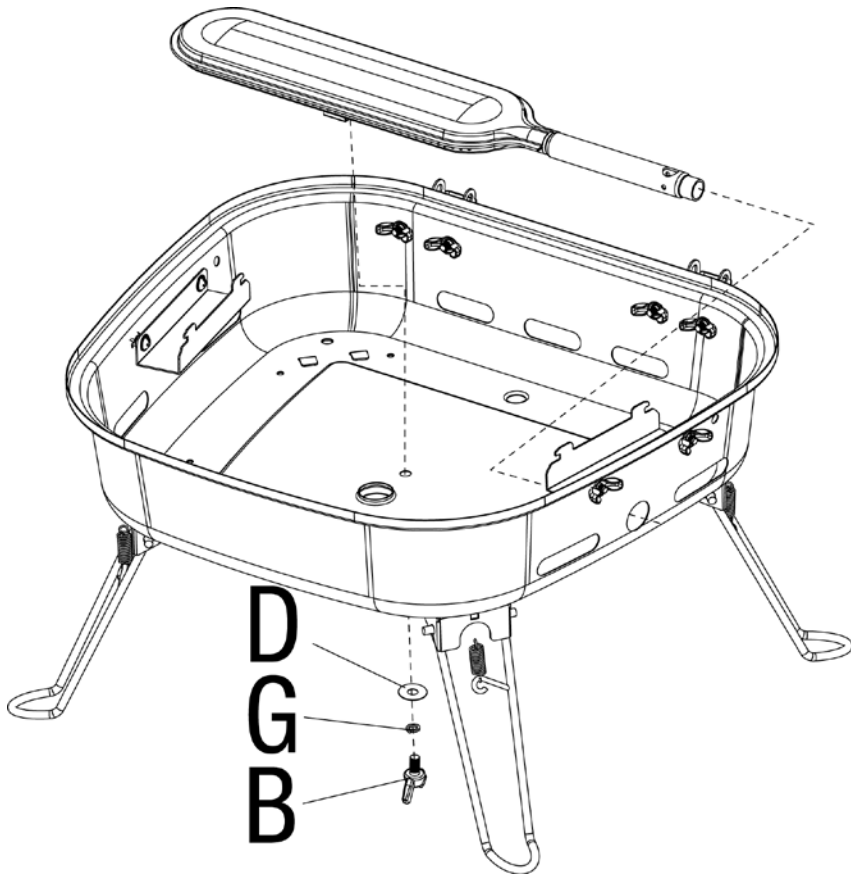
### 4 Attach Legs



Contact 1.800.762.1142 for assistance. Do not return to place of purchase.

5

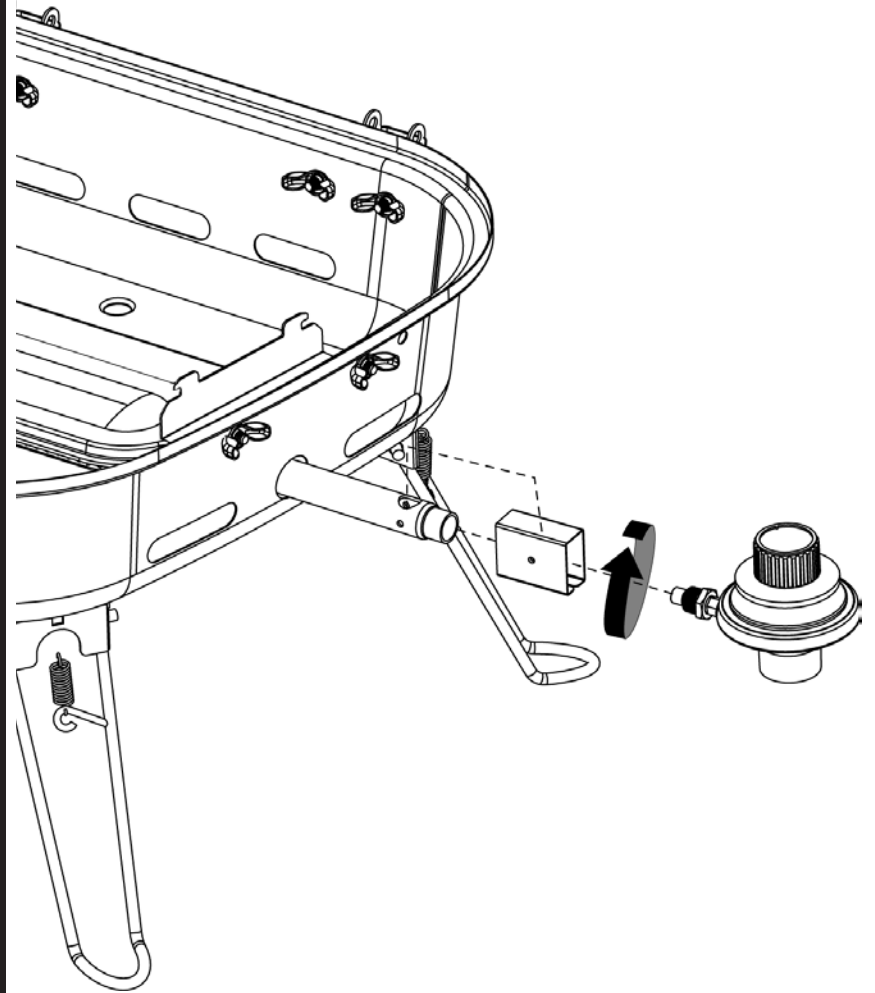
Attach Heat Shield and Burner



6

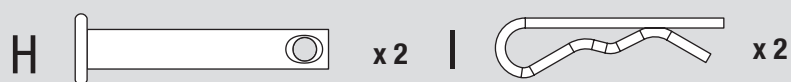
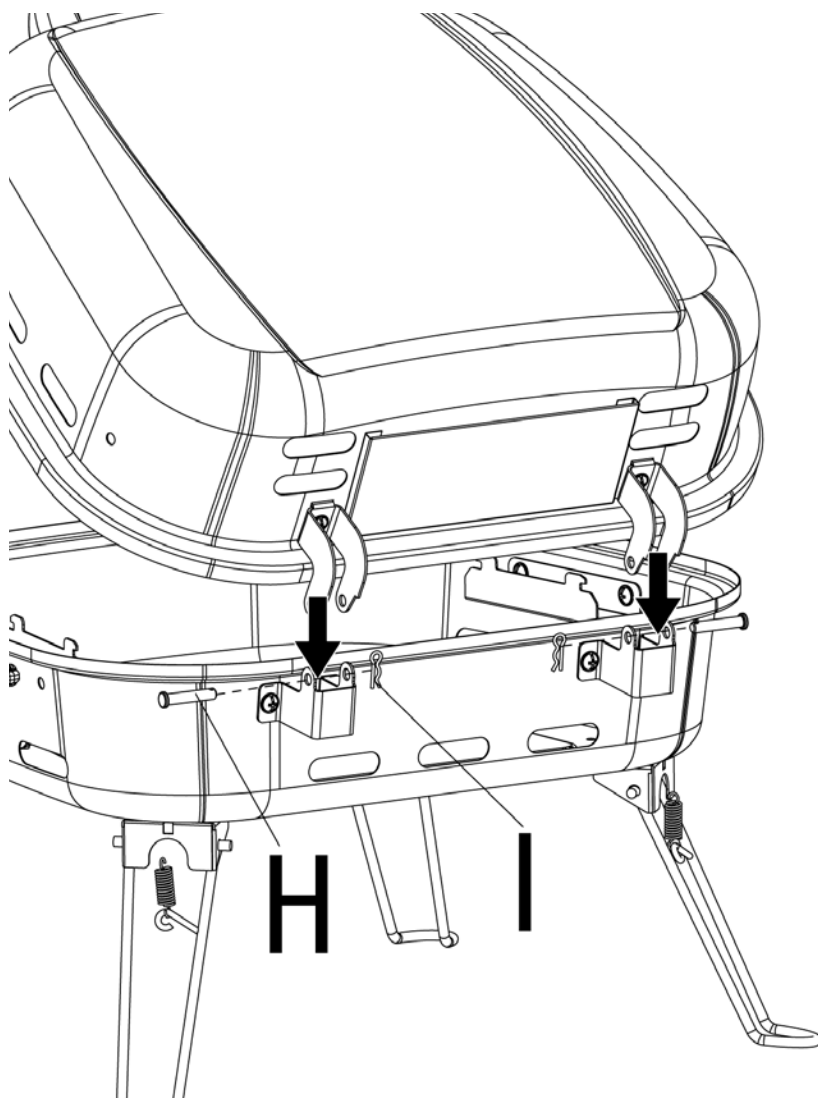
Attach Regulator/Control Valve and Wind Guard

Note: Once attached, the regulator/control valve will freely rotate to accommodate for the LP gas tank.



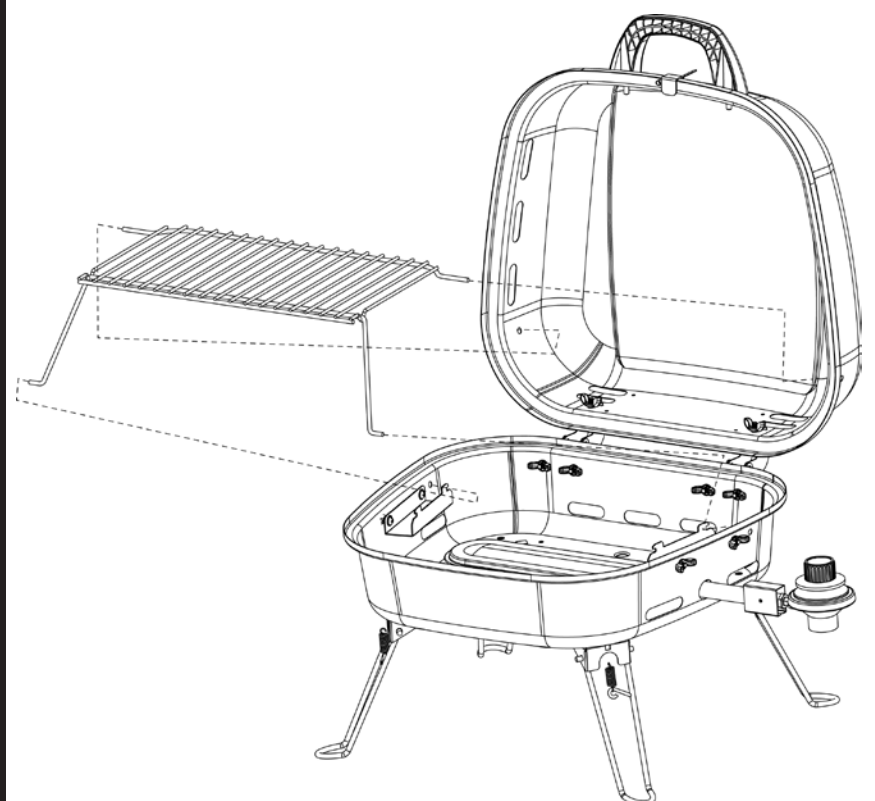
7

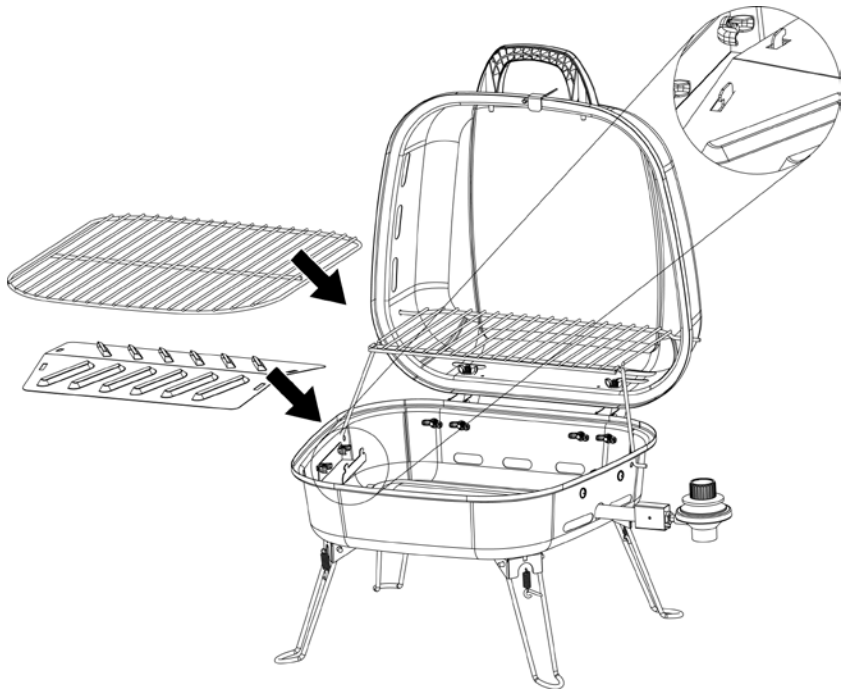
Attach Lid

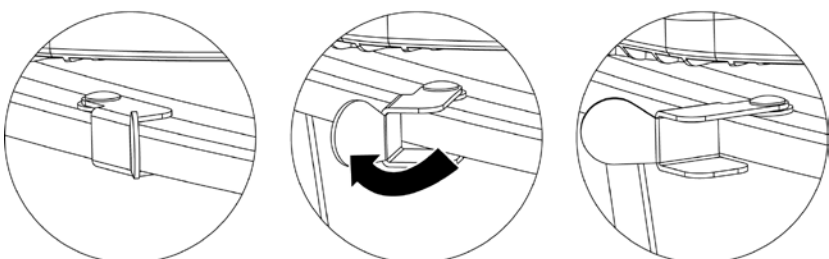


8

Insert Warming Rack



**Assembly Instructions (continued)**
**9**
**Insert Heat Plate and Cooking Grid**

**10**
**Lock Lid**

**Unlock Lid**

**Operating Instructions**

This grill is designed to operate with a one pound 7-3/8" high disposable / 16.4 oz. or 14.1 oz. propane gas tank (DOT 39 Cylinder).

**DO NOT ATTEMPT TO REFILL ANY ONE POUND (16.4 oz. or 14.1 oz.) PROPANE GAS TANKS!**

**Connecting Gas Tank**

1. Make sure the regulator/control valve is in the "LOCK OFF" position. (Figure 1a)
2. Lubricate the threads of the regulator valve with petroleum jelly, insert the gas tank into the regulator valve and hand-tighten firmly. (Figure 1b)
3. Test for leaks

Figure 1a

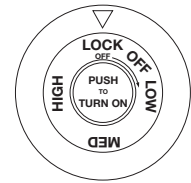
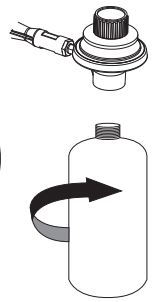
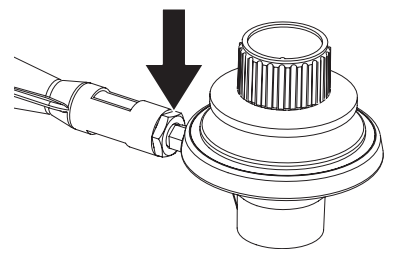


Figure 1b


**Checking for Leaks**
**Burner Connection**

1. Make sure the control valve is securely fastened to the burner. (Figure 2)
- If your unit was assembled for you, visually check the connection between the burner and control valve.

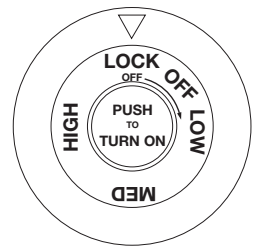
Figure 2



**▲ WARNING: Failure to inspect this connection or follow these instructions could cause a fire or an explosion which can cause death, serious bodily injury, or damage to property.**

2. If the burner pipe does not rest flush to the control valve, please contact 1.800.762.1142 for assistance.

Figure 3


**Regulator / 1# LP Gas Tank Connection**

1. Make 2-3 oz. of leak solution by mixing one part liquid dishwashing soap with three parts water.
2. Make sure control knob is "OFF". (Figure 3)
3. Spoon several drops of solution, or use squirt bottle, at the LP gas tank to regulator connection. (Figure 4)
4. Inspect the solution at the connection, looking for bubbles.

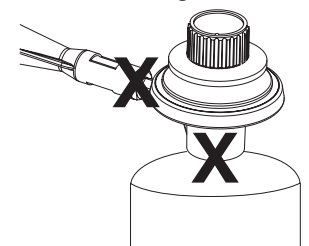
If NO bubbles appear, the connections are secure.

If bubbles appear, you have a leak.

- a. Loosen and retighten this connection, making sure the connection is secure.
- b. Retest with solution.

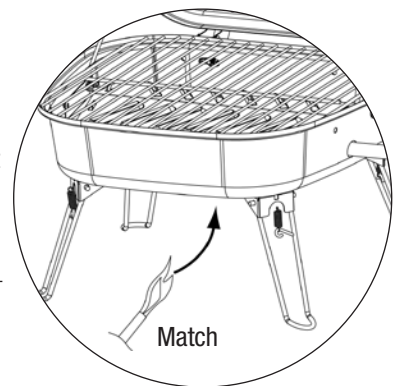
If you continue to see bubbles after several attempts, disconnect propane source and contact 1.800.762.1142 for assistance.

Figure 4


**First Use**

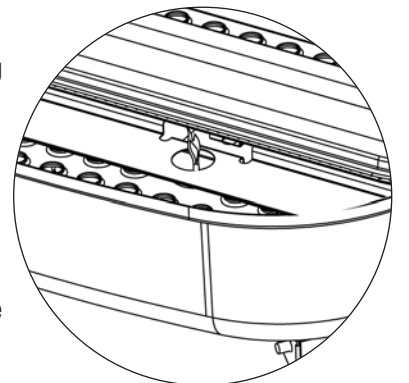
1. Make sure all labels, packaging and protective films have been removed from the grill.
2. Remove manufacturing oils before cooking on this grill for the first time, by operating the grill for at least 15 minutes on "HIGH" with the lid closed. This will "heat clean" the internal parts and dissipate odors.

Figure 5


**Lighting**

1. Make sure all labels, packaging and protective films have been removed from the grill.
2. Open lid. **Attempting to light the burner with the lid closed may cause an explosion!**
3. Make sure there are no obstructions of airflow to the gas unit. Spiders and insects can nest within and clog the burner / venturi tube at the orifice.
  - ▲ A clogged burner tube can lead to a fire beneath the appliance.**
4. Control knob must be in the "LOCK OFF" position. (Figure 4)
5. Position a long lit match or long butane lighter near side of the burner. Access the burner through the hole in bottom bowl as indicated. (Figure 5 and 6)

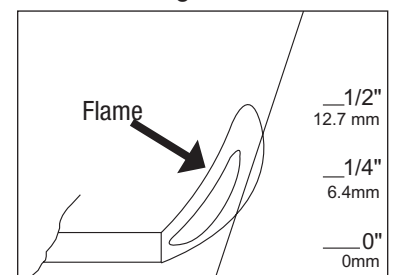
Figure 6



**▲ WARNING: Never lean over the grill when lighting.**

6. Turn the control knob to "LOW"
7. If ignition does not occur in 5 seconds, turn burner control knob OFF, wait 5 minutes and repeat lighting procedure.
8. After lighting, observe the burner flame. Make sure all burner ports are lit and flame height matches illustration. (Figure 7)

Figure 7



**Contact 1.800.762.1142 for assistance. Do not return to place of purchase.**

**⚠ CAUTION: If burner flame goes out during operation, immediately turn the gas “OFF” and open lid to let the gas clear for about 5 minutes before re-lighting.**

### Turning Off

1. Turn control knob to the “LOCK OFF” position.
2. Remove LP gas tank and properly store tank.

### Cooking

1. Open lid and ignite burner per lighting instructions.
2. Close lid and preheat grill on “HIGH”.
3. Wear protective gloves and use long handle tongs to place food onto cooking grids above the lit burners.
4. Adjust controls to desired temperature.
5. With lid open or closed, cook until desired internal food temperatures are achieved.
6. Turn grill “OFF” by turning control knob to the “LOCK OFF” position. Remove LP gas tank and properly store tank.

### Tips for Better Cookouts and Longer Grill Life

1. For food safety tips visit: [http://www.fsis.usda.gov/Fact\\_Sheets/Barbecue\\_Food\\_Safety/](http://www.fsis.usda.gov/Fact_Sheets/Barbecue_Food_Safety/)
2. Use the upper cooking grid (warming rack) for keeping cooked food warm, toasting breads or cooking delicate foods in aluminum foil pouches.
3. To keep food from sticking to the grids, spray or coat with cooking oil before lighting.
4. To reduce flare-up keep grill clean, use lean cuts of meat (or trim fat) and avoid cooking on very high temperatures.
5. Place delicate foods like fish and vegetables in aluminum foil pouches and place on upper cooking levels (warming rack).
6. To avoid losing natural juices, use long handled tongs or spatulas instead of forks and turn foods over just once during cooking.
7. Enhance food flavors by using wood chips in smoker boxes or aluminum foil pouches. Follow the wood manufacturer’s instructions.
8. Clean cooking grids and racks after every use with a quality grill brush designed for your grid material. Wear protective gloves and gently remove the build-up while grids are hot.
9. After every use, allow grill to cool. Then protect clean cooking grids with a light coat of cooking oil, empty grease pan (if included), wipe outside surfaces with a suitable kitchen cleaner and store in a cool dry place.
10. Visit websites like [www.bluerhino.com](http://www.bluerhino.com), watch barbecue themed TV shows or purchase related barbecue cookbooks to learn more interesting tips.

### Cleaning and Care

**⚠ CAUTION: All cleaning and maintenance should be done when grill is cool and with the fuel supply disconnected.**

**⚠ CAUTION: DO NOT clean any grill part in a self cleaning oven. The extreme heat will damage the finish.**

#### Notices

1. **Abrasive cleaners will damage this product.**
2. **Never use oven cleaner to clean any part of grill.**
3. **Do not clean any grill part in a self cleaning oven. The extreme heat will damage the finish.**

#### Cleaning Surfaces

1. Wipe surfaces clean with mild dishwashing detergent or baking soda.
2. For stubborn surfaces use a citrus based degreaser and a nylon scrubbing brush.
3. Rinse clean with water.

#### Cleaning Burner

1. Turn gas off at the control knob and remove LP gas tank.
2. Remove regulator and wind guard.
3. Remove cooking grids and heat plate.
4. Disconnect wire from igniter.
5. Remove burner.
6. Clean inlet of burner with small bottle brush or compressed air.
7. Remove all food residue and dirt on burner surface.
8. Clean any clogged ports with a stiff wire (such as an opened paper clip)
9. Inspect burner for any damage (cracks or holes). If damage is found, replace with new burner.
10. Reinstall burner. Reconnect igniter, wind guard, and regulator.
11. Replace heat plate and cooking grid
12. Perform leak test.

### Product Registration

For faster warranty service, please register your product immediately at [www.bluerhino.com](http://www.bluerhino.com) or call 1.800.762.1142.

### Limited Warranty

Blue Rhino Global Sourcing, Inc. (“Vendor”) warrants to the original retail purchaser of this product, and to no other person, that if this product is assembled and operated in accordance with the printed instructions accompanying it, then for a period of one (1) year from the date of purchase, all parts in such product shall be free from defects in material and workmanship. Vendor may require reasonable proof of your date of purchase. Therefore, you should retain your sales slip or invoice. This Limited Warranty shall be limited to the repair or replacement of parts, which prove defective under normal use and service and which Vendor shall determine in its reasonable discretion upon examination to be defective. Before returning any parts, you should contact Vendor’s Customer Service Department using the contact information listed below. If Vendor confirms, after examination, a defect covered by this Limited Warranty in any returned part, and if Vendor approves the claim, Vendor will replace such defective part without charge. If you return defective parts, transportation charges must be prepaid by you. Vendor will return replacement parts to the original retail purchaser, freight or postage prepaid.

This Limited Warranty does not cover any failures or operating difficulties due to accident, abuse, misuse, alteration, misapplication, improper installation or improper maintenance or service by you or any third party, or failure to perform normal and routine maintenance on the product as set out in this owner’s manual. In addition, the Limited Warranty does not cover damage to the finish, such as scratches, dents, discoloration, rust or other weather damage, after purchase.

This Limited Warranty is in lieu of all other express warranties. Vendor disclaims all warranties for products that are purchased from sellers other than authorized retailers or distributors, including the warranty of merchantability or the warranty of fitness for a particular purpose. **VENDOR ALSO DISCLAIMS AND ANY ALL IMPLIED WARRANTIES, INCLUDING WITHOUT LIMITATION THE IMPLIED WARRANTIES OF MERCHANTABILITY AND FITNESS FOR A PARTICULAR PURPOSE. VENDOR SHALL NO LIABILITY TO PURCHASER OR ANY THIRD PARTY FOR ANY SPECIAL, INDIRECT, PUNITIVE, INCIDENTAL, OR CONSEQUENTIAL DAMAGES.** Vendor further disclaims any implied or express warranty of, and assumes no responsibility for, defects in workmanship caused by third parties.

This Limited Warranty gives the purchaser specific legal rights; a purchaser may have other rights depending upon where he or she lives. Some jurisdictions do not allow the exclusion or limitation of special, incidental or consequential damages, or limitations on how long a warranty lasts, so the above exclusion and limitations may not apply to everyone.

Vendor does not authorize any person or company to assume for it any other obligation or liability in connection with the sale, installation, use, removal, return, or replacement of its equipment, and no such representations are binding on Vendor.

Blue Rhino Global Sourcing, Inc.  
Winston-Salem, North Carolina USA  
(800) 762-1142



## Troubleshooting

Problem	Possible Cause	Prevention/Cure
Burner will not light with match	No gas flow.	Check if LP gas tank is empty.
	Obstruction of gas flow.	Clear burner.
	Spider webs or insect nest in burner tube.	Clean burner tube.
	Burner ports clogged or blocked.	Clean burner ports.
Irregular flame pattern, flame does not run the full length of burner.	Burner ports are clogged or blocked.	Clean burner ports.
Flame is yellow or orange	New burner may have residual manufacturing oils.	Burn grill for 15 minutes with the lid closed.
	Spider webs or insect nest in burner tube.	Clean burner tube.
	Food residue, grease or seasoning salt on burner.	Clean burner.
Flame blow out	High or gusting winds.	Turn front of grill to face wind or increase flame height.
	Low on LP Gas.	Replace LP gas tank.
Flare-up	Grease buildup.	Clean grill.
	Excess fat in meat.	Trim fat from meat before grilling.
	Excessive cooking temperature.	Adjust (lower) temperature accordingly.
Persistent grease fire.	Grease trapped by food buildup around burner system.	Turn knobs to "LOCK OFF POSITION." Let fire burn out. Leave lid in closed position and let fire burn out. After grill cools, remove and clean all parts.
Flashback (fire in burner tube(s))	Burner and/or burner tube is blocked.	Clean burner and/or burner tube.
Inside of lid or cooking grid is peeling	Baked on grease buildup has turned to carbon and is flaking off.	Clean thoroughly.
<b>For more assistance please visit us online at <a href="http://www.bluerhino.com">www.bluerhino.com</a> or call 1.800.762.1142 for immediate assistance.</b>		





## Garantía limitada

Blue Rhino Sourcing, Inc. ("el fabricante") garantiza al comprador original, al detal, de este producto, y a ninguna otra persona, que si la unidad se arma y opera de acuerdo con las instrucciones impresas que la acompañan y por un periodo de un (1) año a partir de la fecha de compra, todas las piezas de este producto estarán libres de defectos en material y mano de obra. El fabricante podrá requerir prueba razonable de la fecha de compra. Por lo tanto, usted debe conservar el recibo de venta o la factura. Esta garantía limitada estará limitada a la reparación o reemplazo de las piezas que resulten defectuosas en condiciones de servicio y uso normal y las que un examen indique, a satisfacción del fabricante, que están defectuosas. Antes de devolver cualquier pieza, comuníquese con el Departamento de Servicio al Cliente (Customer Service Department) del fabricante. Si el fabricante confirma el defecto y aprueba el reclamo, el fabricante decidirá reemplazar tales partes sin costo alguno. Si se le pide que devuelva las partes defectuosas, los costos de transporte deberán ser prepagados. El fabricante devolverá las partes al cliente con costo de transporte o envío prepagados.

Esta garantía limitada no cubre fallas o dificultades de operación debidas a accidente, abuso, mal uso, alteración, empleo en usos inapropiados, instalación defectuosa o mantenimiento o servicio inapropiado o falla en la realización de mantenimiento normal y rutinario como se prescribe en este manual del usuario.

Además, la garantía limitada no cubre daños al terminado de la unidad, tales como rasguños, abolladuras, descoloridos, oxidaciones y otros daños causados por la intemperie después de la compra de la unidad.

Esta garantía limitada reemplaza cualquier otra garantía. El fabricante no asume ninguna responsabilidad por garantías de productos vendidos por quienes no sean distribuidores o vendedores al detal autorizados. Esta exención de responsabilidad incluye cualquier garantía de comerciabilidad o la garantía de aptitud para un propósito en particular. EL FABRICANTE NO SE HACE RESPONSABLE POR NINGUNA GARANTIA IMPLICITA INCLUYENDO, SIN LIMITACIONES, LAS GARANTIAS IMPLICITAS DE COMERCIABILIDAD Y ADAPTABILIDAD A UN PROPOSITO PARTICULAR. EL FABRICANTE NO ASUME RESPONSABILIDAD ANTE EL COMPRADOR O ANTE CUALQUIER TERCERA PERSONA POR DAÑOS ESPECIALES, INDIRECTOS, PUNITIVOS, INCIDENTALES O CONSECUENCIALES. El fabricante, además, no asume responsabilidad por garantías implícitas o expresas por defectos de mano de obra causados por terceras personas. Esta garantía limitada le da al comprador derechos legales específicos y el comprador puede tener otros derechos según el lugar donde el comprador o la compradora residen. Ciertas jurisdicciones no permiten limitaciones en cuanto a la duración de una garantía implícita, de manera que esta limitación puede no ser aplicable a usted.

El fabricante no autoriza a ninguna persona o compañía para asumir por el fabricante cualquier otra obligación a responsabilidad relacionada con la venta, instalación, uso, remoción, devolución o reemplazo de este equipo y cualquier representación de esta naturaleza no obliga al fabricante.

Blue Rhino Sourcing, Inc.  
Winston-Salem, North Carolina 27104, EE.UU.  
(800)-762-1142

## Resolución de problemas

Problema	Causa posible	Prevención/medida correctiva
El quemador no se enciende con una cerilla.	No hay flujo de gas. Obstrucción del flujo de gas.	Compruebe si el tanque de propano líquido está vacío. Limpie el quemador.
El quemador no se enciende con una cerilla.	Telarañas o nidos de insectos en el venturi.	Limpie el tubo del quemador.
	Bocas del quemador atascadas u obstruidas.	Limpie las bocas del quemador.
	Bocas del quemador atascadas u obstruidas.	Limpie las bocas del quemador.
	Falta de uniformidad en la llama, la llama no cubre toda la longitud del quemador.	Limpie las bocas del quemador.
La llama es de color amarillo o naranja.	Puede que el nuevo quemador tenga aceites residuales del proceso de fabricación. Telarañas o nidos de insectos en el venturi	Haga funcionar la parrilla durante 15 minutos con la tapa cerrada. Limpie el tubo del quemador.
La llama se apaga.	Vientos fuertes o racheados.	Gire el frente de la parrilla de cara al viento o aumente la altura de la llama.
	Nivel de gas del tanque de propano bajo.	Sustituya el tanque.
Fogonazo.	Formaciones de grasa.	Limpie la parrilla.
	Carne con exceso de grasa.	Retire la grasa de la carne antes de ponerla en la parrilla.
	Si está utilizando una temperatura excesiva para cocinar.	Ajuste (baje) la temperatura según corresponda.
La grasa provoca un fuego persistente.	Grasa atascada por la acumulación de comida alrededor del sistema de quemadores.	Gire las perillas a la posición "LOCK OFF" (apagado con cierre puesto). Deje la tapa cerrada y deje que el fuego se consuma. Una vez se haya enfriado la parrilla, quite y limpie todas las piezas.
Centelleos (hay fuego en el (los) tubo(s) del quemador).	El quemador y/o el tubo del quemador están bloqueados.	Limpie el quemador y/o los tubos del quemador.
El interior de la tapa o la parrilla de cocción se está pelando; igual que cuando se pela la pintura.	La acumulación de grasa se ha convertido en carbón y se está desmenuzando.	Limpíela completamente.

Para ayuda más detallada, sírvase visítarnos en [www.bluerhino.com](http://www.bluerhino.com) o llámanos al 1.800.762.1142 para ayudarle inmediatamente.

## Limpieza y cuidado (continued)

- Nunca use ninguna pieza de esta parrilla en un horno de limpieza automática. El calor extremo dañará el terminado.

### Limpieza de las superficies

- Limpie las superficies con un detergente suave de lavado de platos o con soda de hornear.
- En superficies de limpieza difícil, use un desengrasador a base de cítricos y un cepillo de nylon.
- Enjuague las superficies con agua limpia.

### Limpieza del quemador

- Apaque el gas con la perilla de control y renueve el tanque de gas propano líquido.
- Remueva el regulador y el resguardo contra el viento.
- Remueva las parrillas de cocción y la placa de calor.
- Desconecte el alambre del encendedor.
- Remueva el quemador.
- Limpie el orificio de entrada del quemador con un cepillo pequeño de limpiar botellas o con chorro de aire comprimido.
- Remueva de la superficie del quemador todo residuo de comida o suciedad.
- Limpie cualquier puerto que encuentre tapado con un alambre rígido, tal como un sujetapapeles abierto.
- Examine el quemador para detectar daños – como rajaduras o huecos. Si encuentra algún daño reemplace el quemador.
- Vuelva a instalar el quemador. Vuelva a conectar el encendedor y coloque nuevamente el resguardo contra el viento y el regulador.
- Vuelva a colocar la placa de calor y la parrilla de cocción.
- Haga una prueba de fugas.

## Registro del producto

Para beneficiar del servicio de garantía más rápidamente, sírvase registrar su unidad inmediatamente visitando nuestro sitio Internet [www.bluerhino.com](http://www.bluerhino.com) o llamando al 1.800.762.1142.

## Limpieza y cuidado

**▲ PRECAUCION:** Todas las operaciones de limpieza y mantenimiento deben realizarse con la parrilla fría y con el suministro de combustible del

**▲ PRECAUCION:** NO limpie ninguna pieza de esta parrilla en un horno de limpieza automática. El calor extremo dañará el terminado.

### Avisos

- No use productos de limpieza abrasivos pues dañarán este aparato.
- No utilice nunca productos limpiadores para limpiar cualquier pieza de la parrilla.

## Sugerencias para una mejor preparación de los alimentos y una vida útil más larga de la parrilla

- Para sugerencias de seguridad visite: [http://www.fs.is.usda.gov/Fact\\_Sheets/Barbecue\\_Food\\_Safety/](http://www.fs.is.usda.gov/Fact_Sheets/Barbecue_Food_Safety/)

2. Use la rejilla de cocción de arriba (rejilla de calentamiento) para mantener calientes los alimentos ya cocidos, pan tostado, o para cocer alimentos delicados en bolsas de papel de aluminio.

3. Para evitar que los alimentos se peguen en las parrillas, aplique una capa de aceite de

cocina a las parrillas antes de encender la unidad.

4. Para reducir el encendido de la grasa, mantenga la parrilla limpia, use cortes de carne sin

grasa (o renueve el acceso de grasa) y evita cocerla a temperaturas demasada altas.

5. Coloque alimentos delicados tales como pescado y legumbres en bolsas de papel de

aluminio y coloque las bolsas en el nivel superior de cocción (rejilla de calentamiento).

6. Para evitar la pérdida de jugos naturales, use tenacillas de mango largo o espátulas, en lugar

de tenedores, y voltee el alimento solamente una vez durante el proceso de cocción.

7. Realce el sabor de los alimentos usando astillas de madera en cajas metálicas para humear

o bolsas de papel de aluminio. Siga las instrucciones del fabricante de las astillas de madera

para esta operación.

8. Limpie las parrillas de cocción y las rejillas después de cada uso con un cepillo de calidad

diseñado para el material de su parrilla. Use guantes de protección y renueve con cuidado la

acumulación de residuos en las parrillas mientras éstas están todavía calientes.

9. Después de usarla deje que la parrilla se enfríe. Proteja las parrillas de cocción con una capa

ligera de aceite de cocina, vacíe la bandeja de la grasa (si ésta viene incluida), limpie las

superficies externas de la unidad con un limpiador de cocina apropiado y guarde la unidad

en un lugar fresco y seco.

10. Visite páginas de Internet - tales como [www.bluerhino.com](http://www.bluerhino.com) - vea programas de televisión relacionados con la cocción de asados a la parrilla o compre libros de cocina relacionados con este tema para obtener interesantes sugerencias .

### Cocción

- Gire la perilla de control a la posición "LOCK OFF" (apagado con cierre puesto).
- Remueva el tanque de gas propano líquido y guárdelo en un lugar apropiado.

### Apagado:

**▲ PRECAUCION:** Si la llama del quemador se apaga durante el funcionamiento, cierre el gas ("OFF") inmediatamente y abra la tapa durante 5 minutos para dejar que la zona quede despejada de gas antes de volver a encenderlo.

10. Después de encender el quemador observe su llama y asegúrese de que todos los orificios estén encendidos y que la altura de la llama corresponda a la del diagrama (vea Figura 7).

**Importante:** Use siempre la vara de encendido que se incluye, cuando desee encender los

quemadores con una cerilla.

9. Gira la perilla de control de la parrilla a la posición "LOW" (bajo) y acerque la llama de la

cerilla al lado del quemador.

Gane acceso a los quemadores por el agujero del fondo del cuenco como ilustra (vea Figuras 5 y 6).

8. En caso de que el encendedor no encienda el quemador, use una cerilla encendida colocada

en la varilla de encendido que se acompaña para encender los quemadores manualmente.

7. Si el quemador no se enciende en 5 segundos, gire la perilla de control del quemador a

"OFF" (apagado), espere 5 minutos y repita el procedimiento de encendido.

6. Oprima la perilla del elemento de ignición varias veces para encender el quemador.

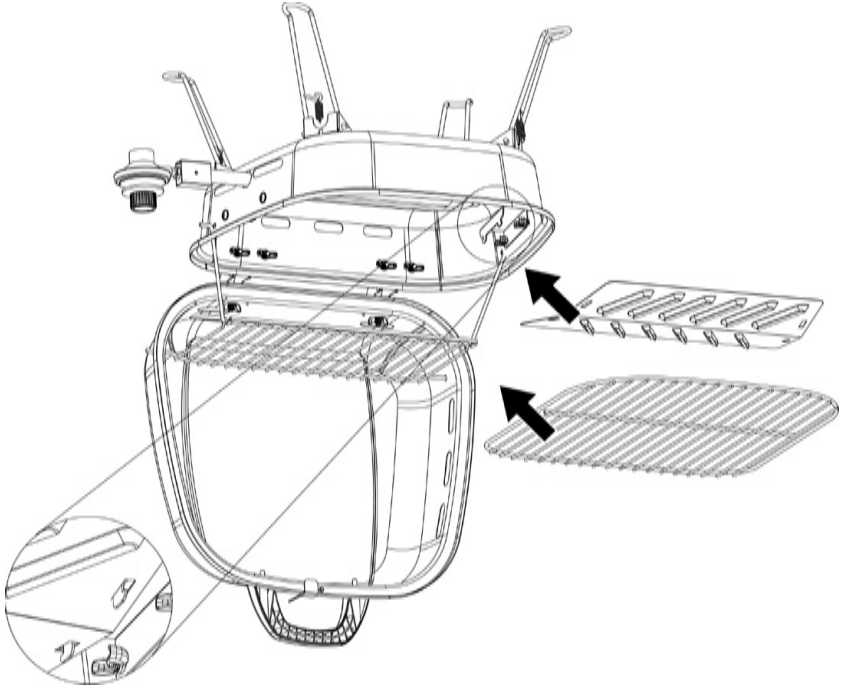
5. Gire la perilla de control para situarla en la posición "HIGH" (alto).

4. Figura 4.

La perilla tiene que estar en la posición "LOCK OFF" (apagado con cierre puesto), vea la

**Instrucciones de operación (continuación)**

**Coloque la placa de calor y la parrilla de cocción**



Esta parrilla ha sido diseñada para operar con un tanque de propano de una libra (465 g) (cilindro DOT 39), de 7-3/8 pulgadas (19 cm) de altura, desechable, de 14,1 ó 16,4 onzas.

**NO TRATE DE LLENAR TANQUES DE PROPANO DE UNA LIBRA (16,4 ó 14,1 onzas o sea 465 g)!**

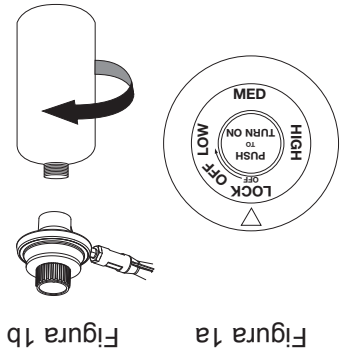


Figura 1a

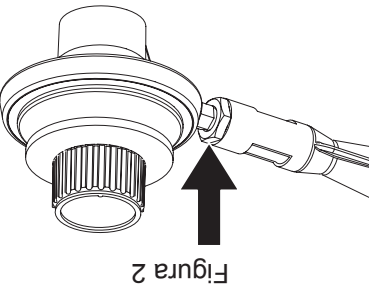


Figura 2

**Comprobar si hay fugas**

1. Asegúrese de que el regulador y la válvula de control estén a la posición "LOCK OFF" (apagado con cierre puesto), vea la Figura 1a.
2. Lubrique la rosca de la válvula del regulador con vaselina de petróleo, introduzca el tanque de gas en la válvula del regulador y apriete con la mano la conexión firmemente (Figura 1b).
3. Verifique que no han quedado fugas de gas.

Si alguien armó la unidad para usted, verifique visualmente la conexión entre el tubo del quemador y la válvula de control.

**ADVERTENCIA: El no inspeccionar esta conexión o seguir debidamente estas instrucciones puede causar incendio o explosión ocasionando muerte, graves lesiones o daños a la propiedad.**

2. Si el tubo del quemador no queda a ras con el orificio, por favor llame al 1.800.762.1142.

**Conexión del regulador y del tanque de 1 libra (Aprox. 465 g)**

1. Prepare unos 80 ml de solución para comprobar si hay fugas mezclando una parte de jabón líquido para lavar platos y tres partes de agua.
2. Asegúrese de que la perilla de control está en la posición "OFF" (apagado), vea la Figura 3.
3. Vierta varias gotas de la solución con una cuchara o una botella de exprimir en la conexión del regulador y del tanque de propano (vea Figura 4).
4. Revise la solución en la conexión en busca de burbujas.

Si NO aparecen burbujas, la conexión es segura. Si aparecen burbujas, hay una fuga.

- a. Afloje la conexión y vuelva a apretarla dejando segura la conexión.
- b. Haga otra prueba con la solución.

Si sigue observando burbujas después de varios intentos, desconecte la fuente de propano y llame al número de teléfono 1.800.762.1142 para solicitar asistencia técnica.

**Uso por primera vez**

1. Verifique que todos los empaques, etiquetas y envolturas de protección han sido removidos de la parrilla.
2. Remueva todo aceite de fabricación que encuentre en la unidad antes de usar la parrilla por primera vez, encendiendo la parrilla por lo menos por 15 minutos en la graduación "HIGH" (alto), con la tapa cerrada. Esto realizará una "limpieza por calor" en las piezas internas de la unidad y hará que los olores se disipen.

**Cierre la tapa**



**Abra el cierre de la tapa**



**Encendido**

1. Verifique que todas las etiquetas, envolturas de protección y empaques han sido removidos de la parrilla.
2. Abra la tapa. **Si intenta encender el quemador con la tapa cerrada puede provocar una explosión!**

3. Asegúrese de que no hay nada que obstruya el flujo de aire en la unidad de gas. Arañas y otros insectos pueden formar sus nidos dentro y obstruir los orificios del quemador/tubo de venturi. **Un tubo de quemador obstruido puede provocar un incendio debajo del aparato.**

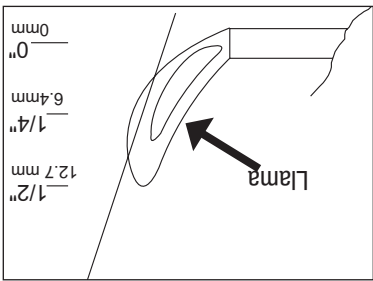


Figura 7

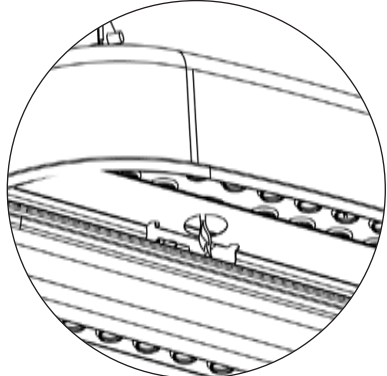


Figura 6

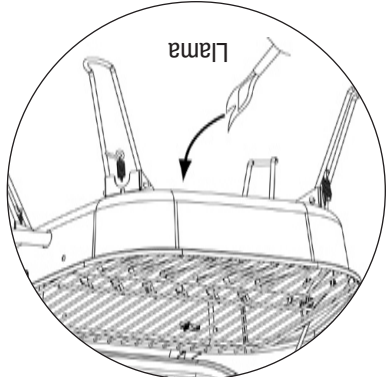


Figura 5

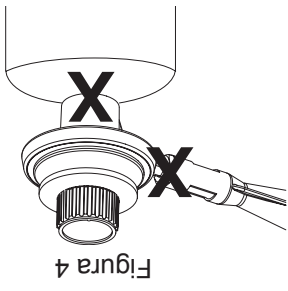


Figura 4

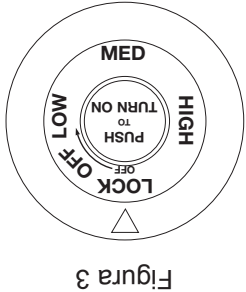


Figura 3

**Instrucciones de operación**

**5**

Fije el quemador y la placa de protección contra el calor

B  
D  
G  
x1  
x1  
x1

**7**

Fije la tapa

I  
H  
x2  
x2

**6**

Fije el resguardo contra el viento y el conjunto de regulador y válvula de control

Nota: Una vez fijado, el conjunto de regulador y válvula de control puede girar libremente para acomodar el tanque de gas propano líquido.

**8**

Coloque la rejilla de calentamiento

**7**

Fije la tapa

I  
H  
x2  
x2



### 1 NO DEVUELVA EL PRODUCTO AL LUGAR DE COMPRA.

Si necesita ayuda llame, sin cargo, al 1.800.762.1142. Por favor tenga a mano su manual y el número de serie de la unidad, para referencia.

Para facilitar el armado:

- Evite la pérdida de componentes pequeños o elementos de ferretería, armando el producto en un lugar de piso plano sin aberturas ni hendiduras.
- Despeje un área suficientemente grande para disponer todos los componentes y los elementos de ferretería.
- Cuando sea del caso, apriete a mano, en un principio, las conexiones de ferretería. Una vez que ha terminado el paso, apriete completamente todos los elementos de ferretería.
- Siga todos los pasos en el orden indicado para armar debidamente esta unidad.

Para terminar el armado de la unidad necesitará:

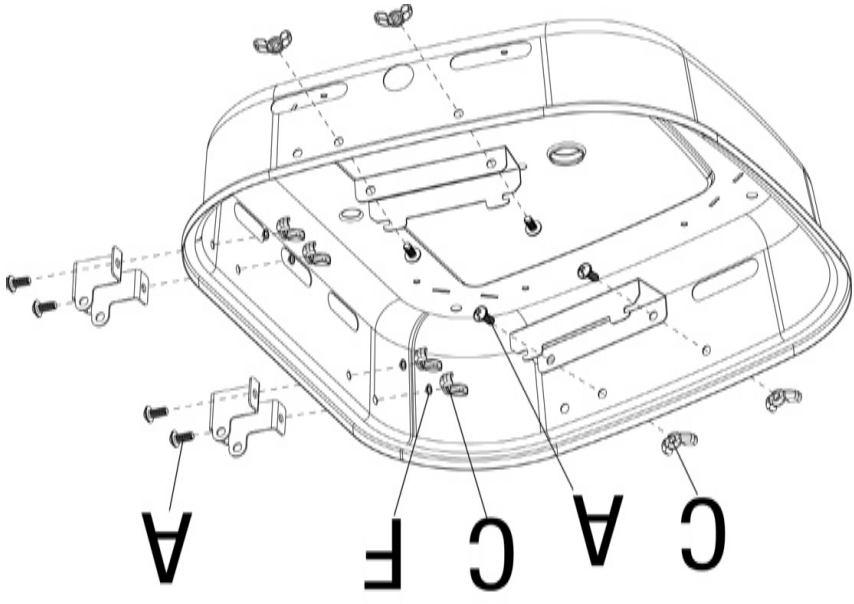
- (1) solución para detección de fugas. Las instrucciones sobre cómo preparar esta solución se encuentran en la sección "Instrucciones de operación".
- (1) tanque de propano de 14,1 onzas o (1) tanque de 16,4 onzas (1 libra ó 465 g)

*Nota:* Es importante que siga en forma apropiada todos los pasos de armado de la parrilla.

Tiempo de armado estimado: 30 minutos.

1

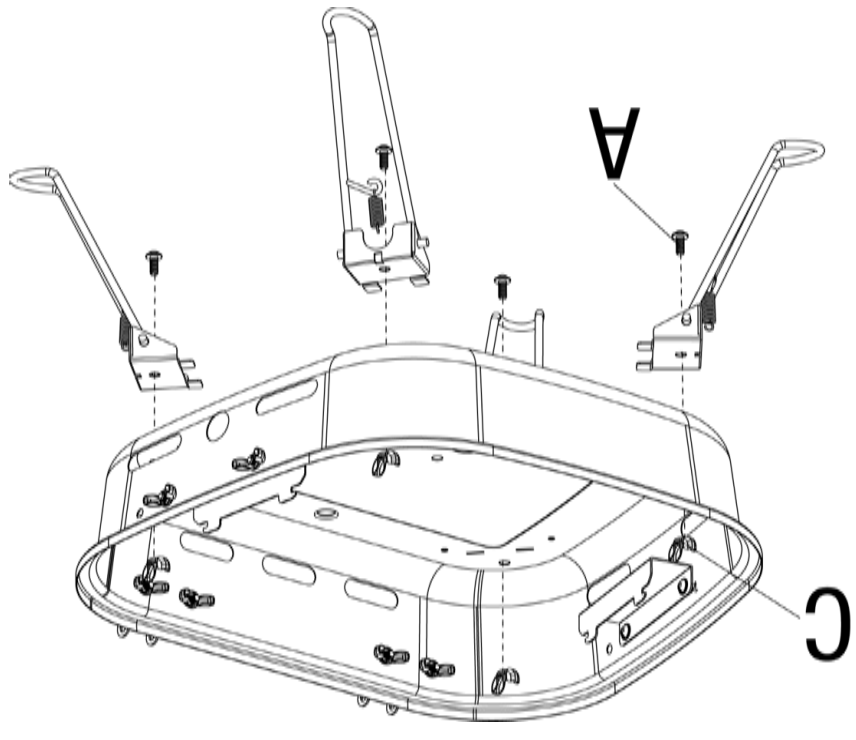
### 3 Fije los soportes de la placa de calor y las bisagras interiores



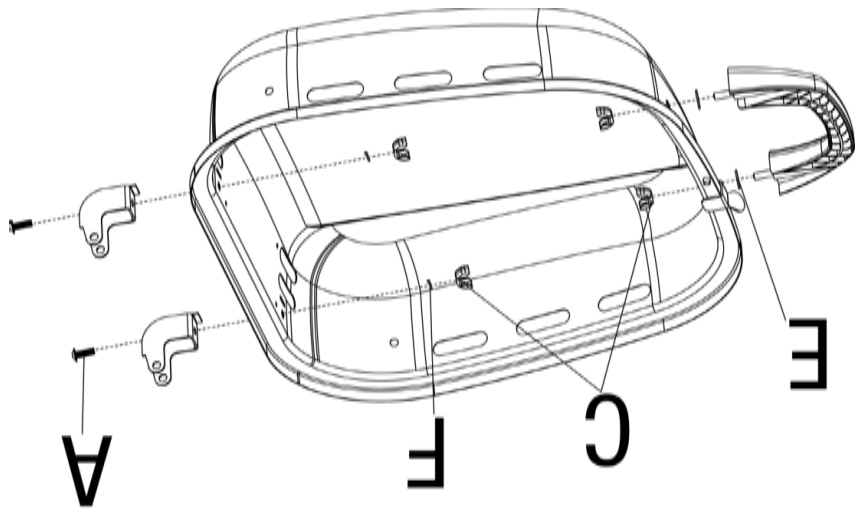
3

4

### 4 Fije las patas

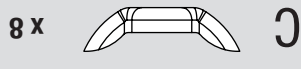
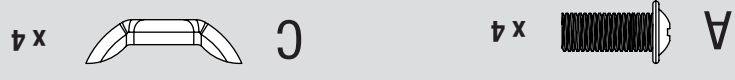
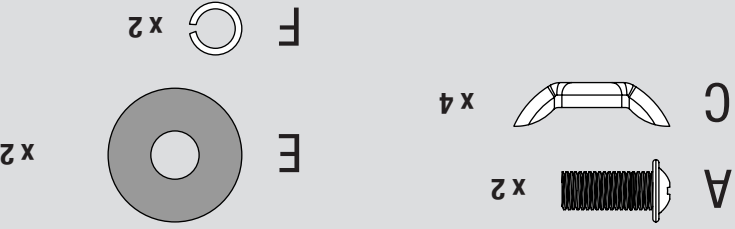
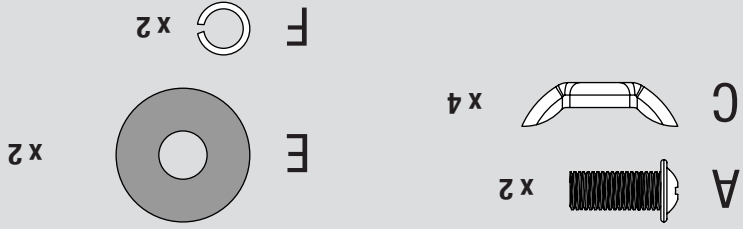


### 2 Fije la manija de la tapa y las bisagras superiores



2

### 2 Fije la manija de la tapa y las bisagras superiores

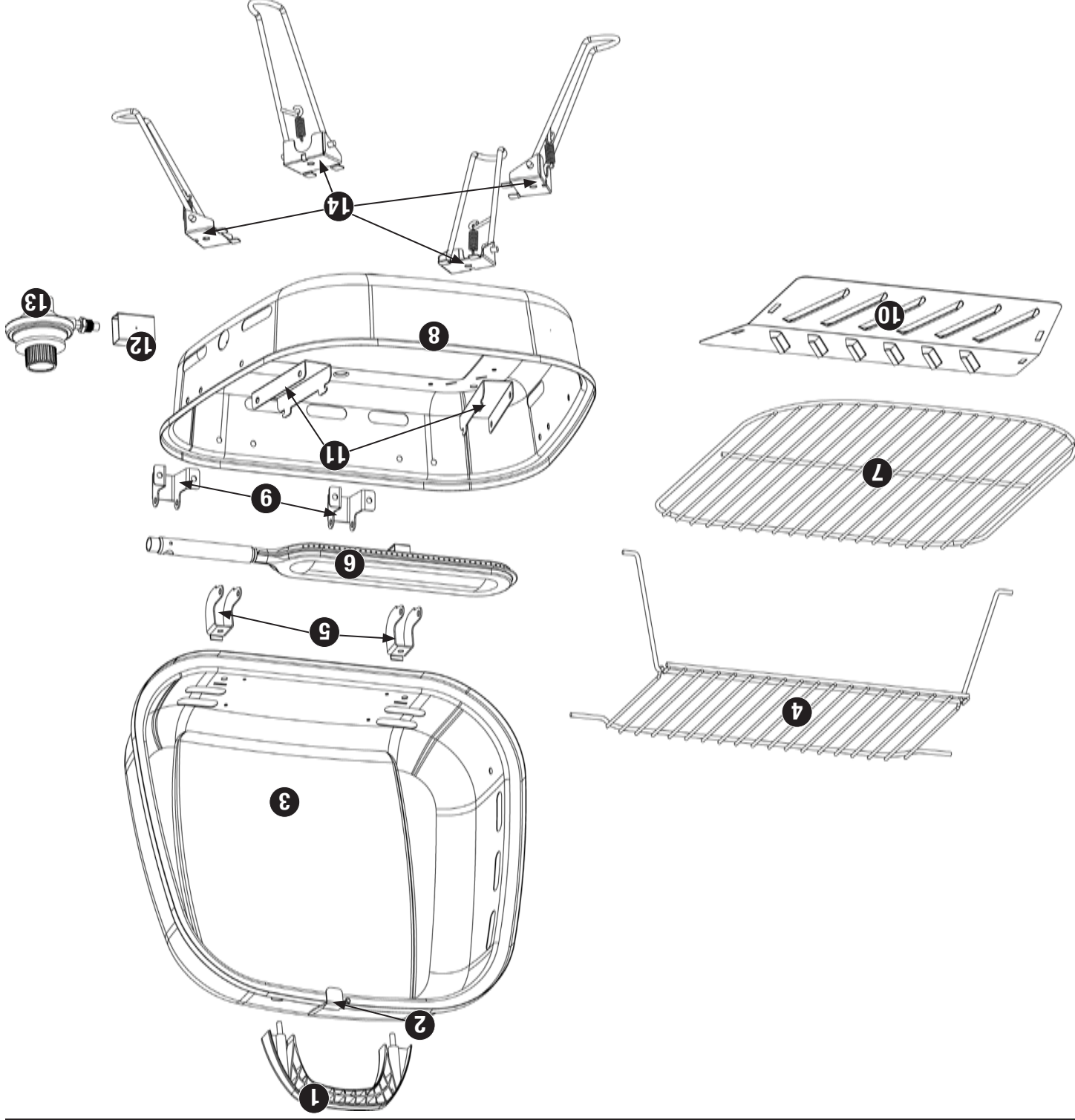


Si necesita ayuda llame al 1.800.762.1142. No vuelva al lugar de compra.

### Lista de piezas

1	Manija de la tapa	55-08-214
2	Cierre	55-08-215
3	Tapa	55-08-216
4	Rejilla de calentamiento	55-08-217
5	Bisagra superior (2)	55-08-218
6	Quemador	55-08-219
7	Parrilla de cocción	55-08-220
8	Cuenco de abajo	55-08-222
9	Bisagra inferior (2)	55-08-223
10	Placa de calor	55-08-224
11	Soporte de la placa de calor (2)	55-08-225
12	Resguardo contra viento	55-08-226
13	Regulador y válvula de control	55-08-227
14	Pata (4)	55-08-228

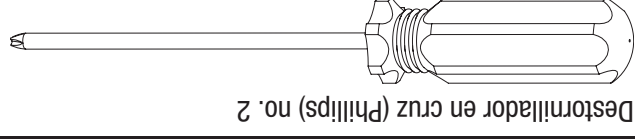
### Diagrama de explosión



### Elementos de ferretería

A	Tornillo	Phillips de cabeza abombada, niquelado, M5x12	14 pzs
B	Perno de mariposa	Niquelado, M6x15	1 pz
C	Tuerca de mariposa	Acero, M5	16 pzs
D	Arandela	Acero, ø6,4	1 pz
E	Arandela	Resistente al calor, ø6	2 pzs
F	Arandela de cierre	Acero, ø5,3	6 pzs
G	Arandela de cierre	Acero, ø6,4	1 pz
H	Perno de ojal	Galvanizado, ø5 x 30	2 pzs
I	Pasador de horquilla	Acero, ø1,4 x 30	2 pzs

### Herramientas necesarias para el armado (incluidas)



Destornillador en cruz (Phillips) no. 2



## Parrilla de gas propano para exteriores, modelo no. GB1806T

- Si huele a gas -
1. Cierre la entrada de gas al aparato.
  2. Apague cualquier llama activa.
  3. Abra la tapa.
  4. Si el olor persiste, manténgase alejado del aparato y llame inmediatamente a su proveedor de gas o al departamento de bomberos.

### PELIGRO



1. No guarde los tanques de gas propano líquido de repuesto en un radio inferior a 10 pies (3 metros) de este aparato.
2. No guarde o use gasolina u otros líquidos o vapores inflamables a menos de 25 pies (7,6 m) de esta unidad o de cualquier otro aparato.
3. Un tanque de propano líquido que no esté conectado para su uso no se debe almacenar cerca de este o cualquier otro aparato.

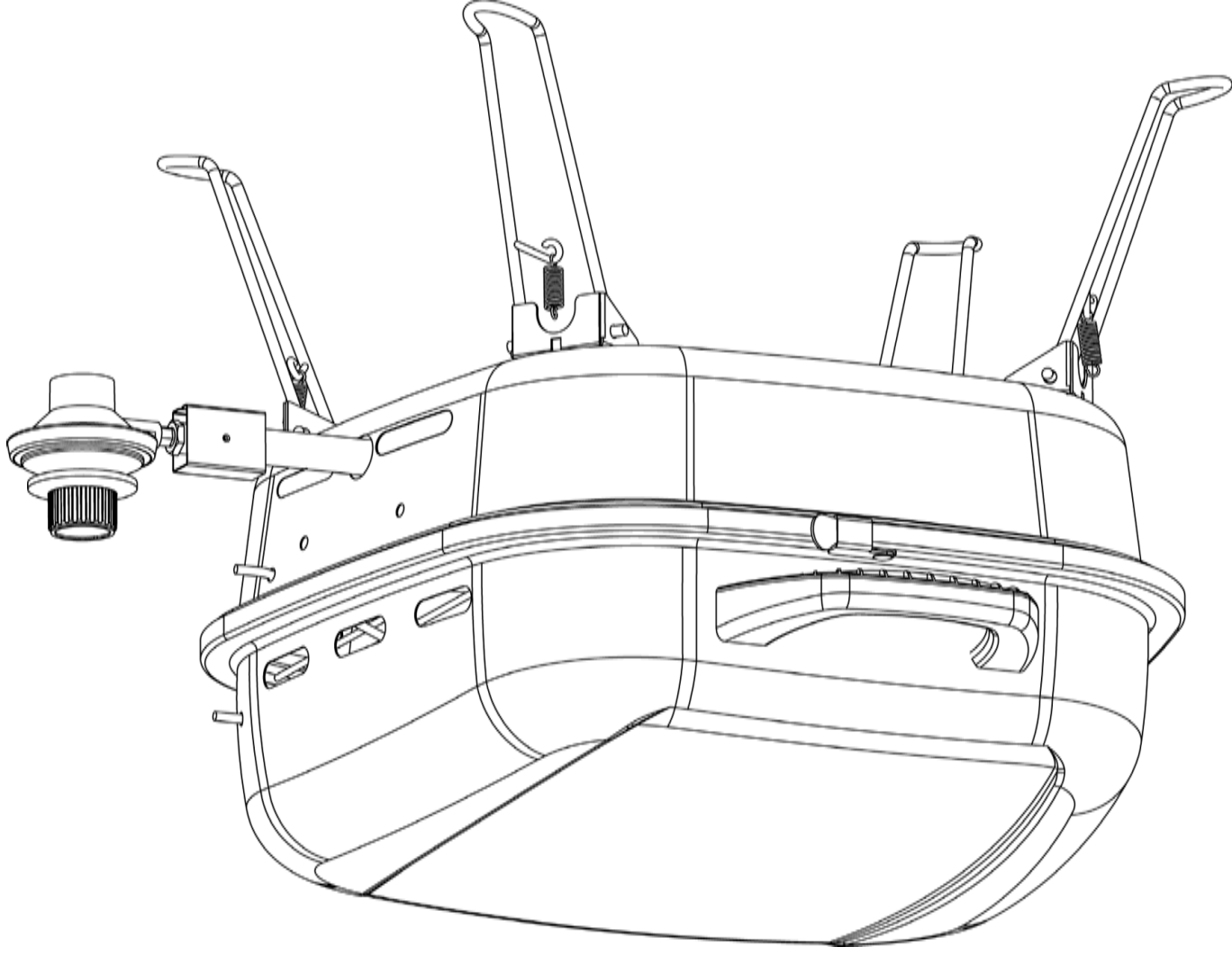
### ADVERTENCIA PARA SU SEGURIDAD

- ▲ **PELIGRO:** El no seguir los avisos de peligro, las advertencias y las precauciones de este manual, puede ocasionar un incendio o una explosión, con sus consecuentes daños a la propiedad, lesiones personales y hasta accidentes fatales.

- ▲ **ADVERTENCIA:**
- ▲ Esta parrilla es para ser usada al aire libre únicamente y no debe usarse en un edificio, garaje o cualquier otra área cerrada.
  - ▲ Esta parrilla de gas NO ha sido diseñada para uso comercial.
  - ▲ No es una parrilla de sobremesa. Por lo tanto, no coloque esta parrilla sobre ningún tipo de superficie de sobremesa.
  - ▲ Esta parrilla utiliza únicamente gas de propano líquido (PL) como combustible. El convertir o tratar de convertir esta parrilla de gas propano líquido para ser usada con gas natural es peligroso e invalida la garantía de la unidad.
  - ▲ Características del propano líquido (PL):
    - a. El propano es inflamable y resulta peligroso si se manipula inadecuadamente. Antes de utilizar cualquier producto que emplee propano líquido, estudie detenidamente sus características.
    - b. El propano es un gas explosivo bajo presión, más denso que el aire y se asienta en pozos en zonas bajas.
    - c. En su estado natural, el propano no tiene ningún olor. Para su seguridad, se añade una esencia odorífera que huele a col podrida.
    - d. El contacto directo con el propano líquido puede causar quemaduras tras en la piel.
  - ▲ Se requiere un tanque de gas propano para hacer funcionar este aparato. Únicamente tanques marcados "Propano" pueden usarse en esta unidad. El tanque de gas propano líquido (PL) debe estar fabricado y comercializado según las *Especificaciones para tanques de gas PL del Departamento de Transporte (DOT) de EE.UU. o del Estándar nacional de Canadá, CAN/CSA-B339 sobre tanques, esteras y tubos para el transporte de mercancías peligrosas; y la comisión.*
  - ▲ Verifique que el tanque de propano cuenta con mecanismo de extracción de vapor.
  - ▲ Los tanques de propano líquido abollados u oxidados pueden ser peligrosos y deberían ser revisados por su proveedor de gas PL antes de utilizarlos.
  - ▲ No deje caer el tanque de gas propano líquido ni la maneje bruscamente. Los tanques de propano deben almacenarse en exteriores, en un lugar al aire libre siempre fuera del alcance de los niños y nunca en un garaje, edificio o espacio cerrado. Nunca almacene tanques de gas en un lugar en el que la temperatura supere los 125°F (51,5°C).
  - ▲ No intente nunca acoplar esta parrilla al sistema de propano de un campero, de una casa móvil o de su propia casa.
  - ▲ El uso de bebidas alcohólicas, medicamentos o drogas de farmacia puede afectar la habilidad del usuario para armar debidamente u operar en forma segura esta aparato.
  - ▲ No use nunca carbón de leña, líquido para encendedor, rocas de lava, gasolina, queroseno o alcohol con este aparato.
  - ▲ Todas las conexiones de gas de su parrilla han sido verificadas en fábrica en cuanto a fugas de gas. Sin embargo, pruebe la integridad de todas las conexiones ya que el movimiento en transporte puede aflojar algunas de ellas.
  - ▲ Verifique que no haya fugas aún si el aparato ha sido armado por otra persona.
  - ▲ No opere la unidad si hay una fuga de gas. Las fugas de gas pueden provocar un fuego o una explosión.
  - ▲ Antes de operar esta unidad, debe observar todos los procedimientos para verificar que no hay fugas de gas. Para evitar cualquier riesgo de fuego o de explosión al comprobar si hay fugas:
    - a. Compruebe siempre si hay fugas antes de encender la parrilla, cada vez que el tanque de gas está conectado.
    - b. No fume. No use o permita fuentes de ignición en el área al comprobar si hay fugas.
    - c. Siempre compruebe si hay fugas en exteriores donde hay una buena ventilación.
    - d. No use cerillas o fósforos, encendedores o una llama para comprobar si hay fugas.
    - e. No use la parrilla hasta que todas la fugas hayan sido reparadas. Si no puede parar una fuga, desconecte el tanque de propano. Llame a nuestro servicio de atención al cliente, a un técnico o a su proveedor de propano local.
  - ▲ No utilice el equipo en una atmósfera explosiva. Mantenga la zona de la parrilla libre de materiales combustibles, gasolina y cualquier otro vapor o líquido inflamable.
  - ▲ Mantenga todo material y superficies combustibles a por lo menos 53 cm (21 pulgadas) de la parrilla en todo momento. NO use esta parrilla debajo de aleros o cerca de construcciones combustibles que no estén debidamente protegidas.

## Parrilla de gas propano para exteriores

Modelo no. GBT806T



### ADVERTENCIA

PARA SU SEGURIDAD:

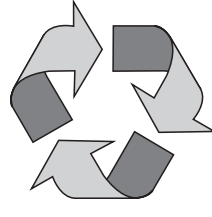
Solamente para uso en exteriores

(fuera de cualquier recinto)

### ADVERTENCIA

PARA SU SEGURIDAD:

1. Una instalación, ajuste, alteración, reparación o mantenimiento inadecuados pueden causar lesiones o daños a la propiedad.
2. Lea atentamente las instrucciones de instalación, funcionamiento y mantenimiento del equipo antes de instalarlo, ponerlo en marcha o darle servicio.
3. El no seguir estas instrucciones puede ocasionar un incendio o una explosión, con sus consecuentes daños a la propiedad, lesiones personales y hasta accidentes fatales.



Hecho con 70% de bagazo de caña de azúcar respetuoso del medio ambiente)



Fabricado en China para:  
Blue Rhino Global Sourcing, Inc.  
Winston-Salem, NC 27104 EE.UU.  
1.800.762.1142, www.bluerhino.com

© 2007 Blue Rhino Global Sourcing, Inc. Todos los derechos reservados.  
Blue Rhino® es una marca registrada de Ferreligas L.P.. Todos los derechos reservados.

GBT806T-OM-104 ES

### Índice

Salvaguardias importantes .....	Página 2
Diagrama de explosión y elementos de ferretería .....	3
Instrucciones de armado .....	4
Instrucciones de operación .....	6
Comprobar si hay fugas .....	6
Uso por primera vez .....	6
Encendido .....	6
Apagado .....	7
Cocción .....	7
Sugerencias .....	7
Limpieza y cuidado .....	7
Registro del producto .....	7
Garantía limitada .....	8
Resolución de problemas .....	8

El uso e instalación de este producto ha de realizarse de acuerdo con los códigos locales. Si no existen códigos locales, use las normas siguientes: *Código Nacional para Gas y Combustibles, ANSI Z223.1/NFPA 54, CAN/CGA-B149.1, Código de Instalación de Propano y Gas Natural.*

Proposición 65 de California: La combustión del propano crea productos químicos considerados por el Estado de California como causantes de cáncer, malformaciones congénitas u otros daños reproductivos.